

Exp. No. 8

object - Bread Board Implementation of Seven Segment Display.

Apparatus Required -

S.N.	Component	Qty
1-	Ic 4511	01
2-	Seven Segment Display	01
3-	Digital Trainer Kit	01
4-	Connecting Wires	15

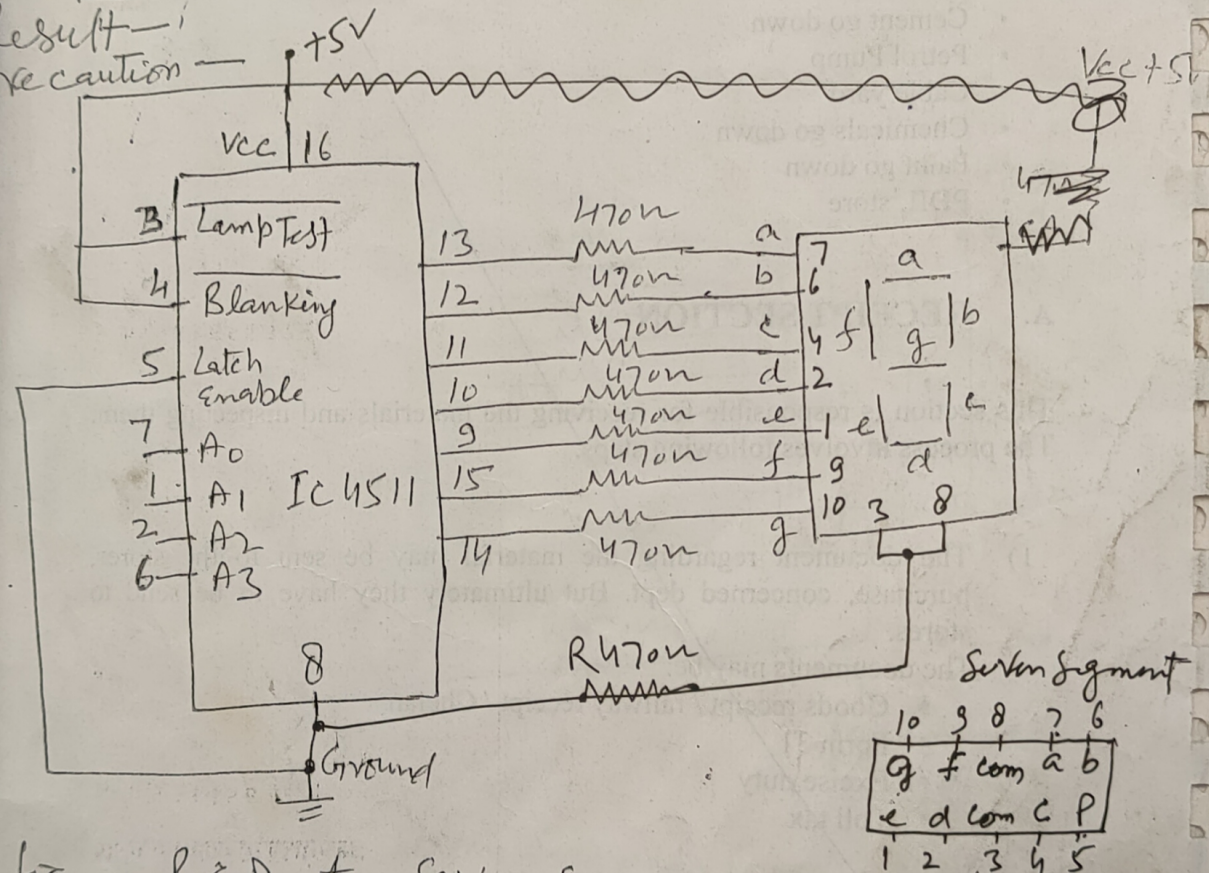


fig. BCD to Seven Segment Decoder (4511) and Seven Segment Display

Table of seven segment display-

0	0	0	0	=	0
0	0	0	1	=	1
0	0	1	0	=	2
0	0	1	1	=	3
0	1	0	0	=	4
0	1	0	1	=	5
0	1	1	0	=	6
0	1	1	1	=	7
1	0	0	0	=	8
1	0	0	1	=	9

after apparatus heading theory
heading daal ke theory likhna aur
ye table bana lena theory Google
se Dekh Kar likhna